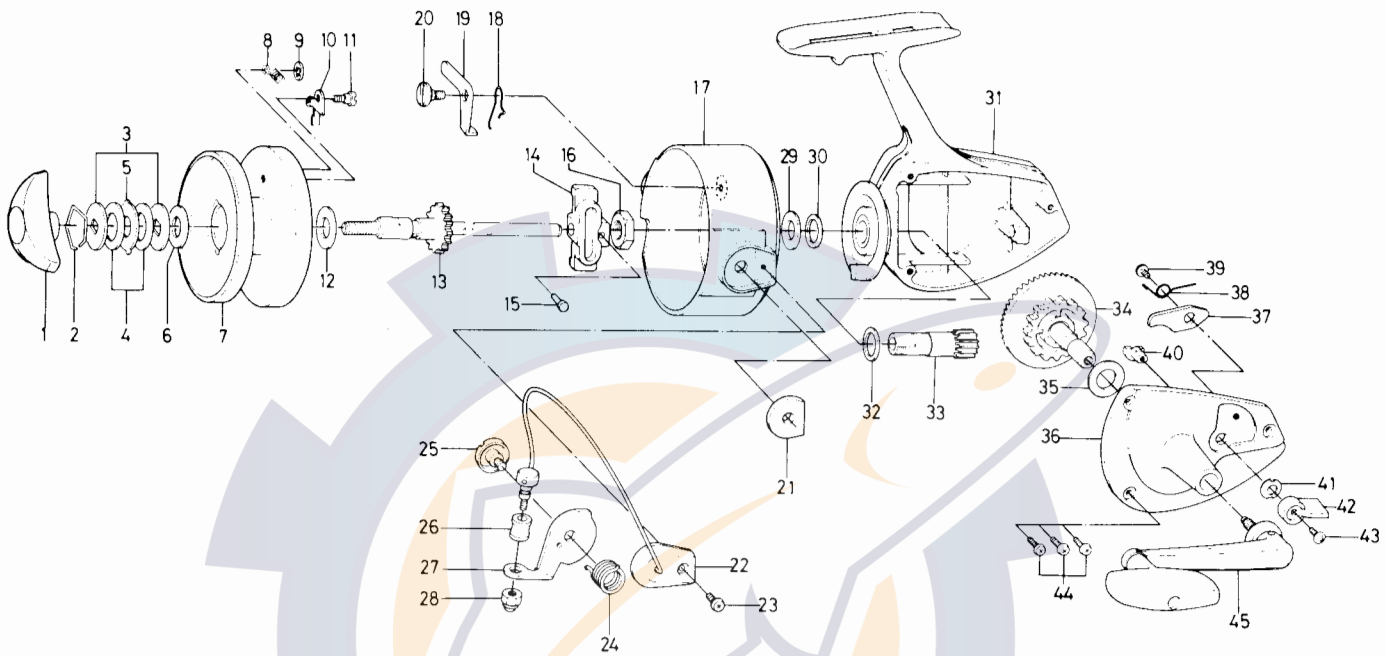


**SPINNING REEL 407A**



**KEY NO. 2 ~ 11**  
**6-733-8611**

**SPOOL ASSEMBLY**

Key No.	Parts No.	Parts Name	Key No.	Parts No.	Parts Name
1	6-000-8237	Drag knob	24	6-141-2801	Bail spring
2	6-170-4101	Drag washer retainer	25	6-361-6413	Arm lever screw
3	6-372-3711	Drag D washer	26	6-250-2821	Line roller
4	6-372-6504	Disc washer	27	6-231-3101	Arm lever
5	6-372-3832	Drag washer A	28	6-340-8501	Bail nut
6	6-372-3003	Drag washer A	29	6-370-7516	Rotor washer A
*7	6-514-3811	Spool	30	6-371-6400	Rotor washer B
8	6-140-2221	Spool click claw spring	31	6-701-4404	Body
9	6-320-9701	Spool click claw spring retainer	32	6-371-6423	Pinion washer
10	6-030-6802	Spool click claw	33	6-403-2301	Pinion gear
11	6-350-1931	Spool click claw screw	34	6-414-1401	Drive gear
12	6-372-9601	Spool washer	35	6-371-6400	Drive gear washer
13	6-711-4701	Main shaft	36	6-063-3303	Body cover
14	6-481-2801	Oscillating slider	37	6-111-3501	Anti-reverse claw
15	6-121-7001	Oscillating slider pin	38	6-144-0001	Anti-reverse claw spring
16	6-340-8301	Rotor nut	39	6-351-6102	Anti-reverse claw screw
17	6-202-1203	Rotor	40	6-461-2201	Anti-reverse cam
18	6-140-6231	Bail kick lever spring	41	6-150-1751	Anti-reverse lever washer
19	6-570-6821	Bail kick lever	42	6-540-3711	Anti-reverse lever
20	6-363-1501	Bail kick lever screw	43	6-350-1931	Anti-reverse lever screw
21	6-210-4301	Balancer	44	6-351-5901	Body cover screw
22	6-720-2801	Bail	45	6-747-6801	Handle
23	6-351-6401	Bail holder screw			

\*Not sold separately. See Spool Assembly.